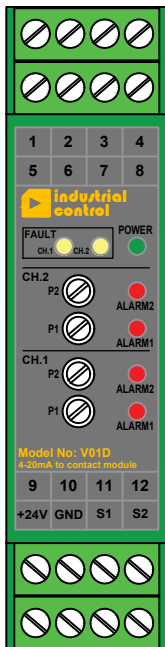
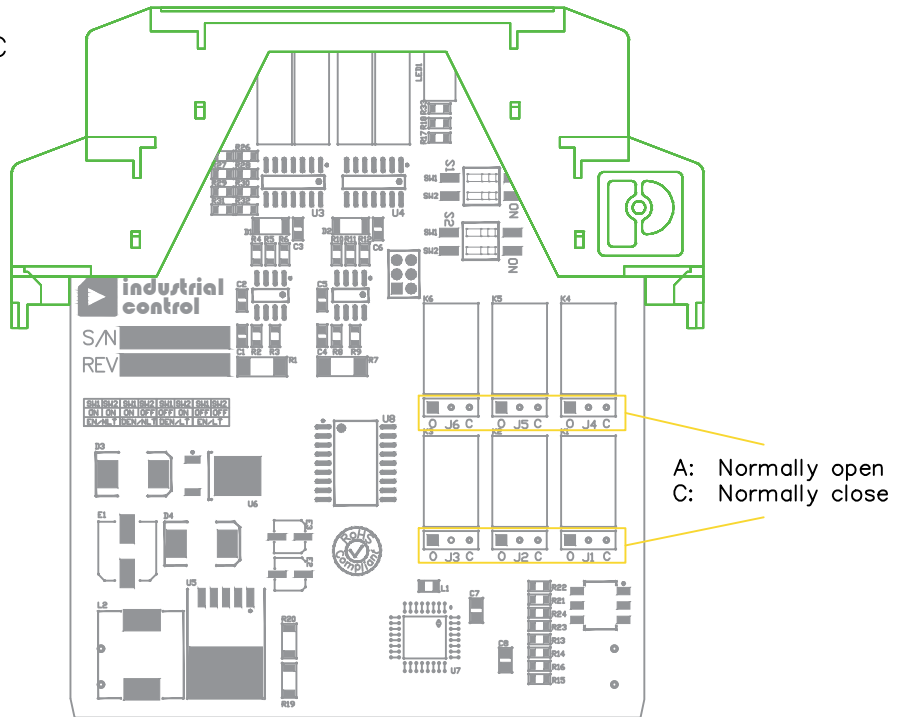


Product Description

Supply Voltage: 16 Vdc to 30 Vdc
 Maximum Power-Up Time: 2sec
 Alarm Current: Max 70mA@24Vdc
 Operating Temperature: -20 to 70°C
 Signal Input: 2 channel 4-20mA
 Diminution: 99mm x 22.5 x 111mm



1	CH.1 ALARM 1 RELAY COM	9	CH.1 FAULT RELAY COM
2	CH.1 ALARM 1 RELAY NO/NC	10	CH.1 FAULT RELAY NO/NC
3	CH.2 ALARM 1 RELAY COM	11	CH.2 FAULT RELAY COM
4	CH.2 ALARM 1 RELAY NO/NC	12	CH.2 FAULT RELAY NO/NC
5	CH.1 ALARM 2 RELAY COM	13	CH.1 INPUT 4-20mA
6	CH.1 ALARM 2 RELAY NO/NC	14	CH.2 INPUT 4-20mA
7	CH.2 ALARM 2 RELAY COM		
8	CH.2 ALARM 2 RELAY NO/NC		

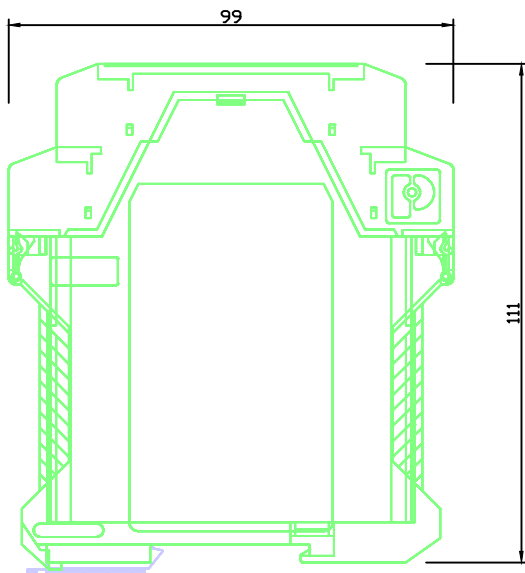
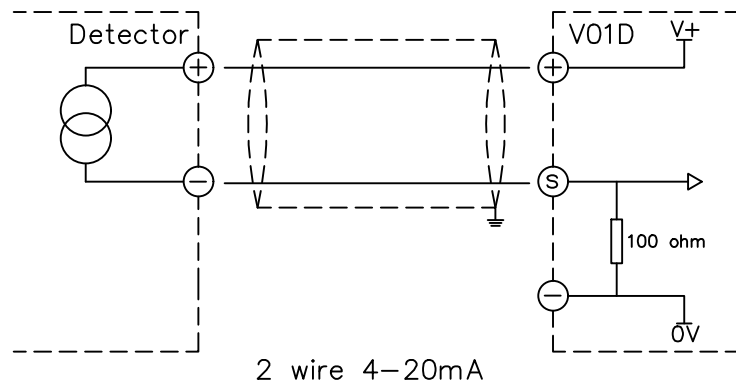
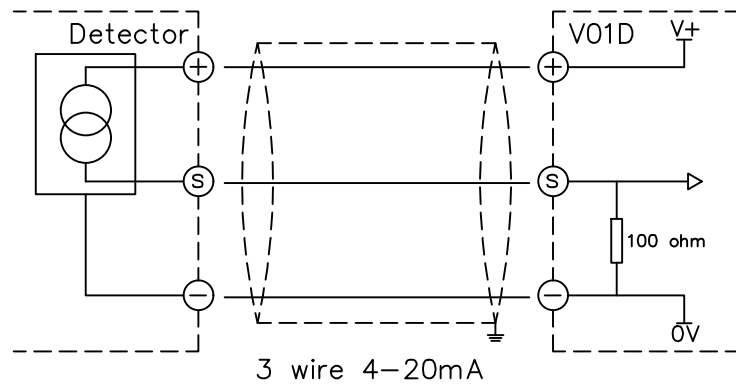
DIP Switch for configuration output signal status



EN/DEN: Energized or D-energized relay output
 LT/NLT: Latch or no latch relay output
 Latch time: 2min

Detector wiring Schematic

To connect detector / transmitter to the 4–20mA module use a 2 or 3 wire cable.
 If the module located inside detector / transmitter no need to use overall screen wire.



Outline Dimensional Drawing

WARNING

V01D is designed for installation and use in safe area atmospheres.
 for installation on hazard area the EXd enclosure is mandatory

www.incontrol-co.com



TITLE
 2Channel 4–20mA to contact module Operation manual

MODEL
 V01D

PAGE
2 / 2

Rev. 00