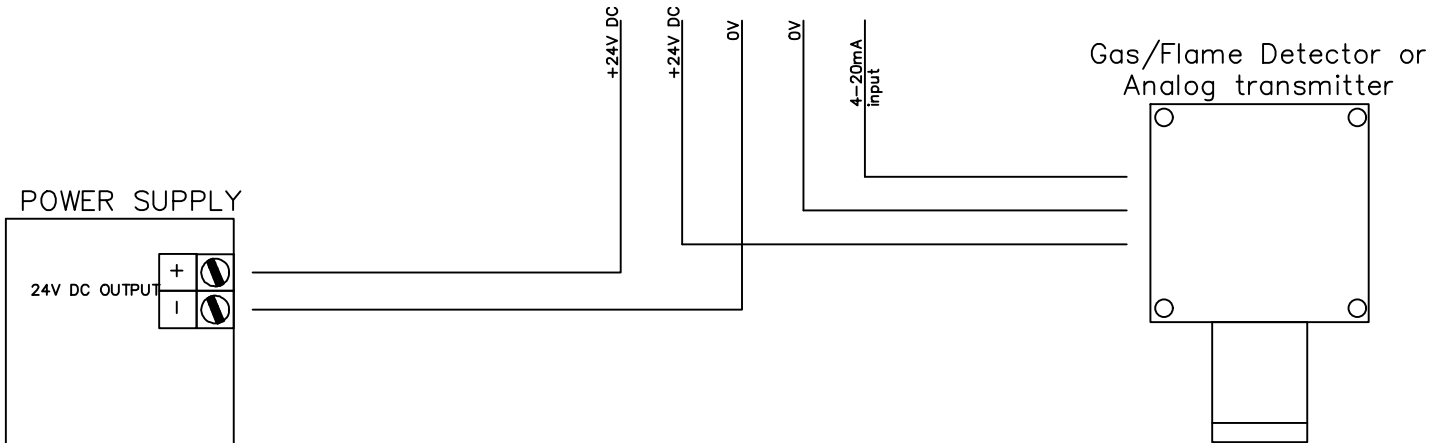
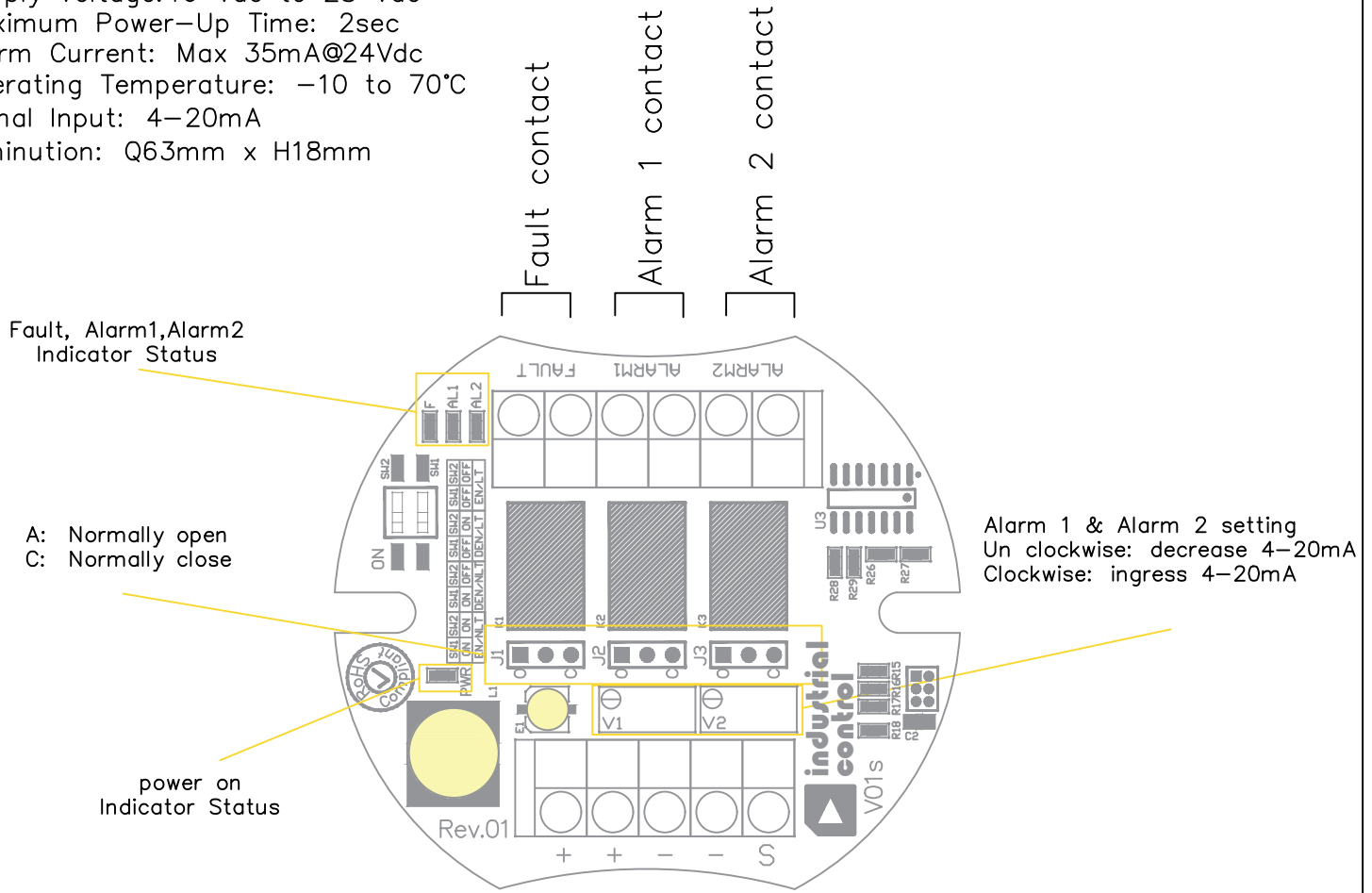
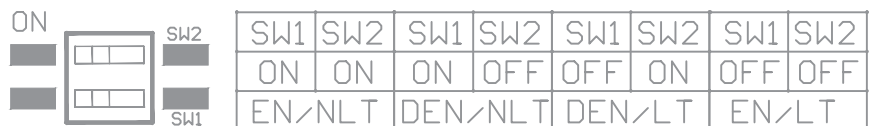


Product Description

Supply Voltage: 16 Vdc to 28 Vdc
 Maximum Power-Up Time: 2sec
 Alarm Current: Max 35mA@24Vdc
 Operating Temperature: -10 to 70°C
 Signal Input: 4-20mA
 Diminution: Q63mm x H18mm



DIP Switch for configuration output signal status



EN/DEN: Energized or D-energized relay output
 LT/NLT: Latch or no latch relay output
 Latch time: 2min



TITLE 4-20mA to contact module Operation manual

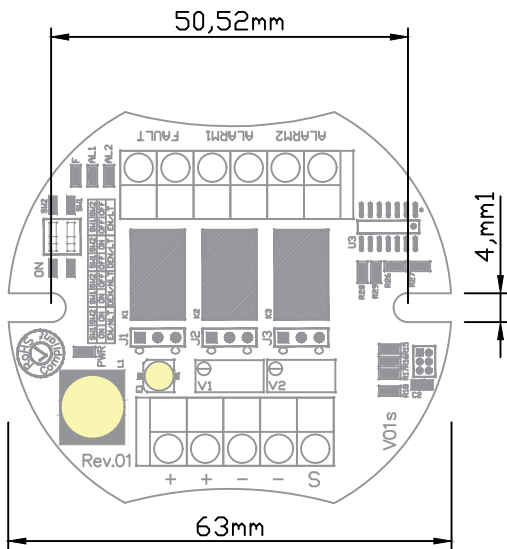
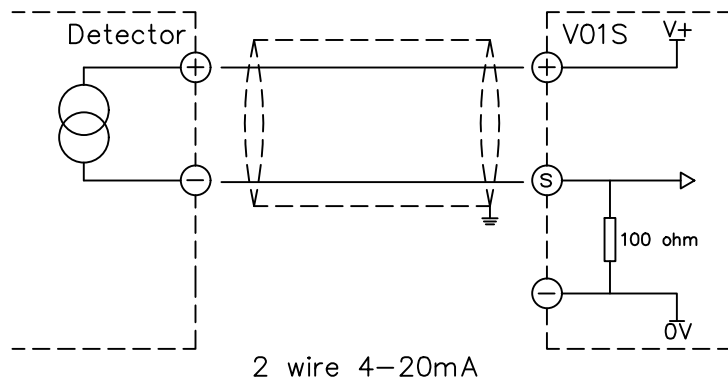
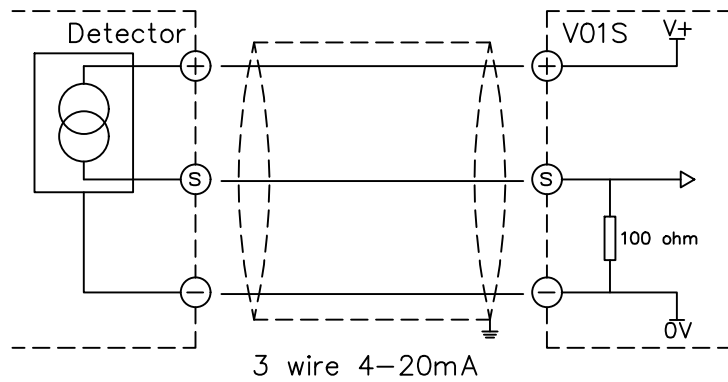
MODEL V01S

PAGE 1/2

Rev. 01

Detector wiring Schematic

To connect detector / transmitter to the 4–20mA module use a 2 or 3 wire cable.
 If the module located inside detector / transmitter no need to use overall screen wire.



Outline Dimensional Drawing

WARNING

V01S is designed for installation and use in safe area atmospheres.
 for installation on hazard area the EXd enclosure is mandatory

www.incontrol-co.com



TITLE	4–20mA to contact module wiring diagram		
MODEL	V01S	PAGE	2 / 2
			Rev. 01